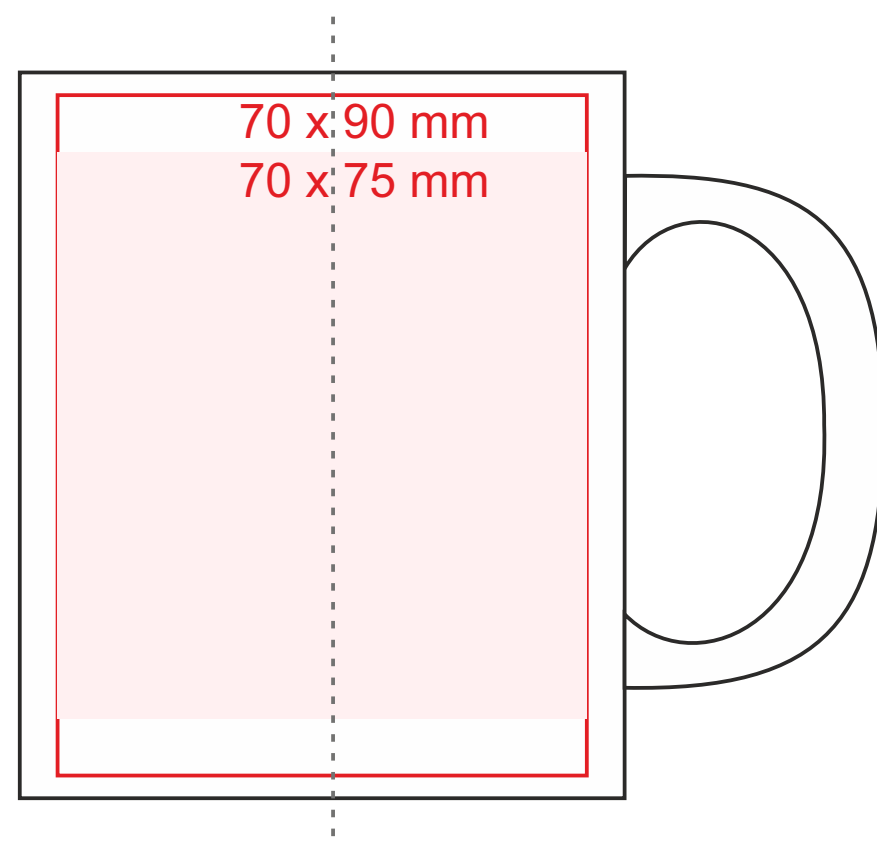
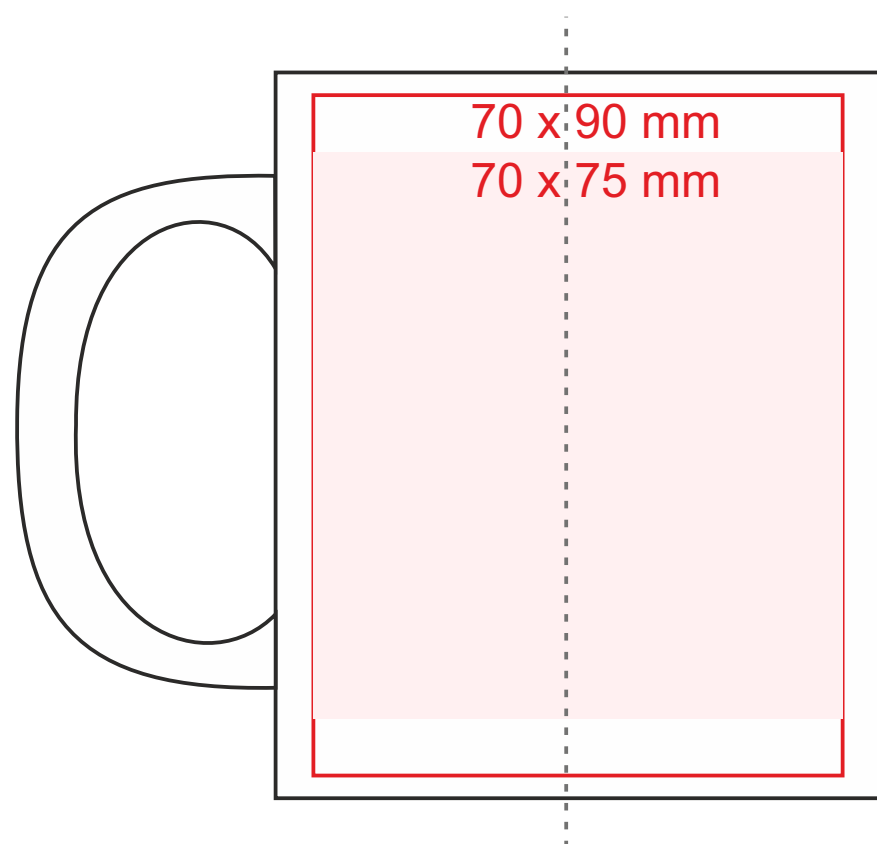
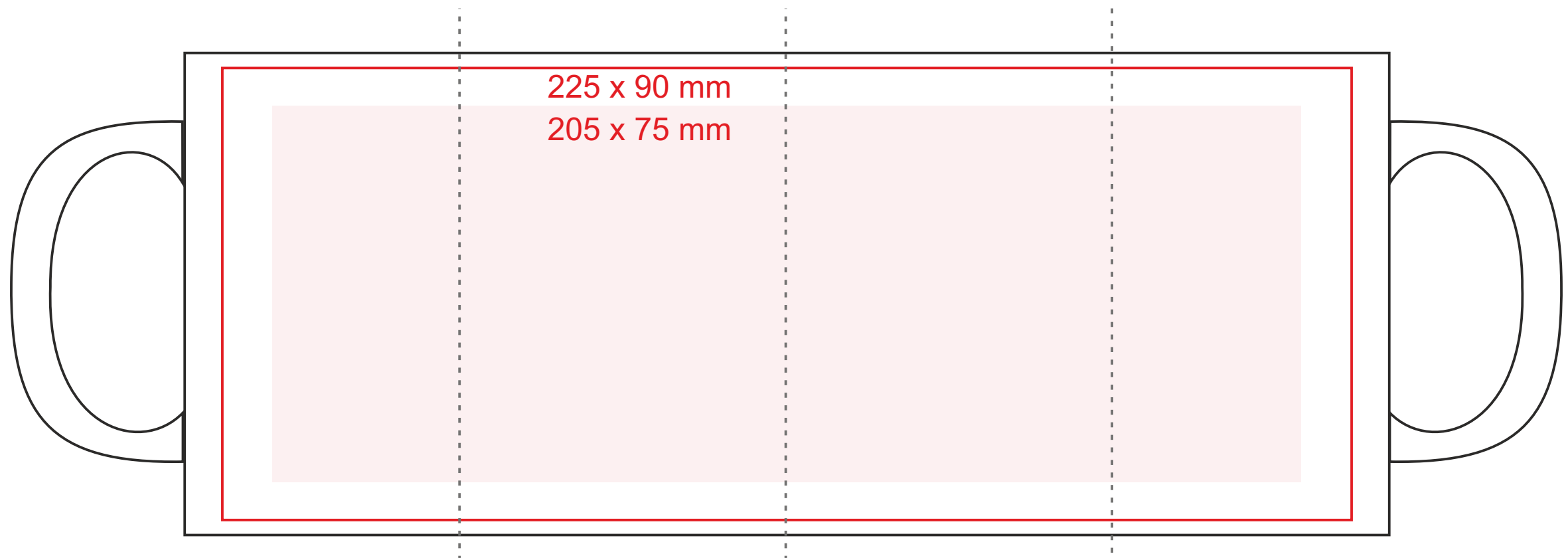



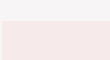
# M\_521 Tomek Art. Glow

320 ml / h: 95 mm / Ø 81 mm



[How to prepare print material](#)

## meaning

-  Sublimation printing, digital quality (maximum area printing)
-  Sublimation printing, project with small elements (safe area printing for small elements and texts)